

CACHFIRES

FOCO MYST THREE 800

HYB-30-107

Foco Myst Three 800 three-sided built-in water vapor fireplace that does not create any fire hazard.

TECHNICAL SPECIFICATIONS

Features

Usage	220 L/h
Burn time	10 hours
Capacity	2 Litres
Heat output (max)	No heat kW
Burner type	Dimplex Optimyst Cassette 500
Thermostat	No
Ventilation	210 cm ²
Flue/chimney	Not Required
Remote control	Yes (included)
Fuel	Water and Electricity
Adjustable flame	Yes
Control	Remote Control
Requires electricity	Yes

Appearance

Finish	Matte
Decoration	Wood (Additional)
Glass Height	15 cm
Glas included	Yes
Materials	Steel
Flame colours	1 colours
Colour	Black
Interior	Black

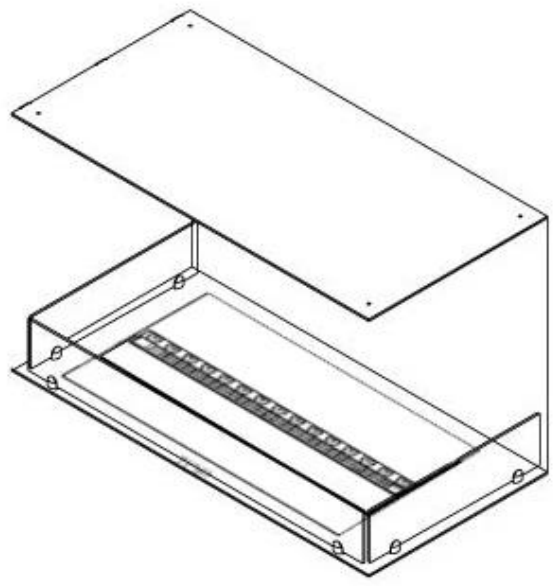
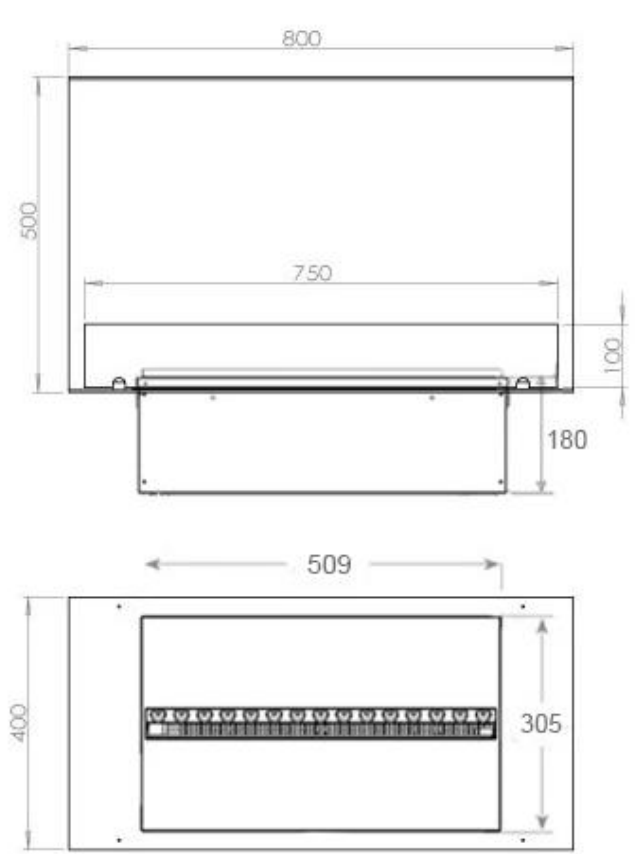
Size

Cable lenght	150 cm
Weight	25 kg
Depth	40 cm
Length/Width	80 cm
Height	50 cm

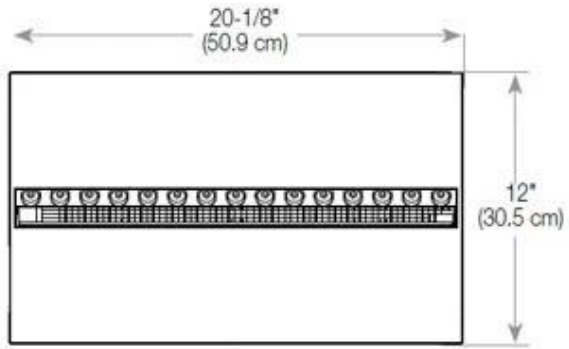
Type

Producttype	3-sided Built-in Opti-myst Fireplace
Warranty	2 years
Use	Indoor
Brand	Foco

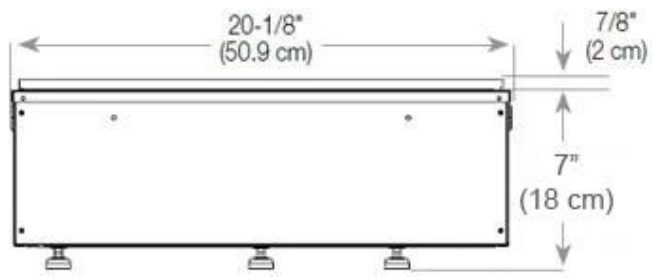




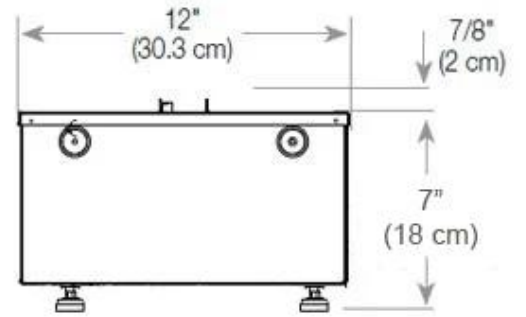
CASSETTE 500 MANUAL



TOP

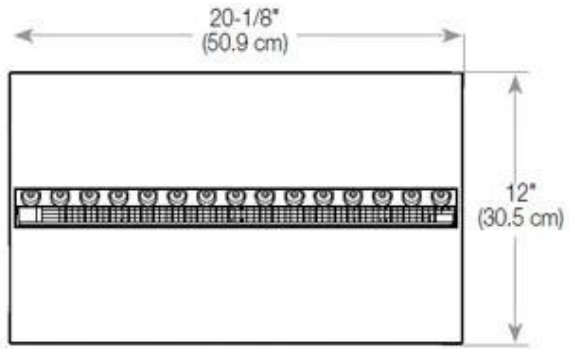


FRONT

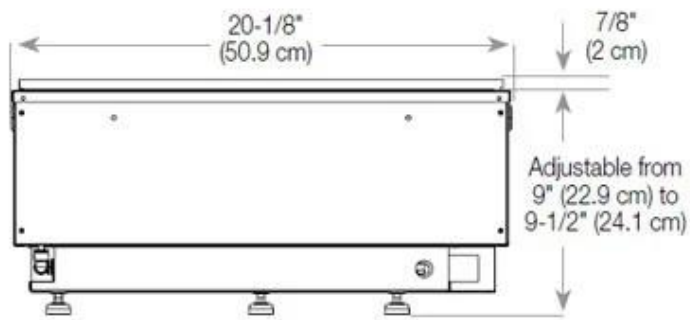


SIDE

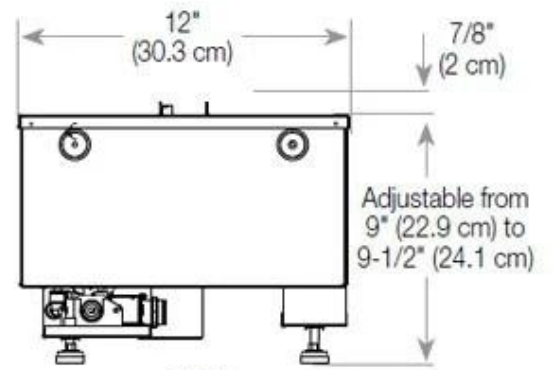
CASSETTE 500 AUTOMATIC



TOP



FRONT



SIDE